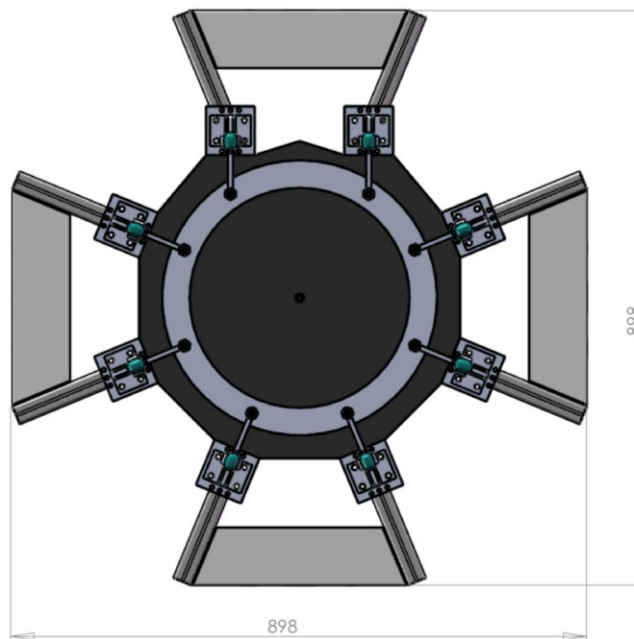
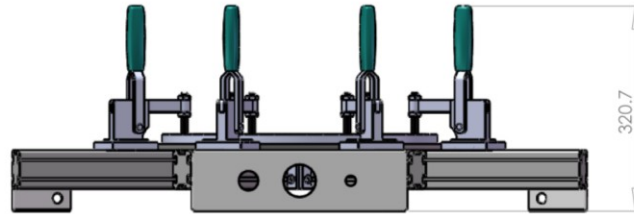


Introduction to the 650 Dome Blowing Unit

This is a versatile unit for the blowing of plastic domes, normally in cast acrylic material. The material is warmed up in an oven (suitable C R Clarke oven 400FD), and transferred by hand to the dome blowing unit. The toggle clamps are closed, firmly securing the material around its periphery. Compressed air is applied underneath the material. A panel mounted push-button valve and pressure regulator controls the air. Once the dome has reached the required size it is allowed to cool and is then unclamped ready for finishing.

The 650 Dome Blowing Unit has been specifically designed to allow any size of dome in the range of 150-600mm diameter. The dome size is changed by simply fitting the appropriate size of base plate and ring. The toggle clamps are mounted on sliders and locate against the contoured edge of the baseplate, ensuring that they are always positioned correctly to clamp the ring.

Machine Dimensions (mm)



Specifications

Minimum Dome Diameter	150mm
Maximum Dome Diameter	600mm
Maximum Material Thickness	8mm
Maximum Operating Temperature	350 °C

Dimensions (Packed)	100 x 100 x 60cm
Weight (Bare Machine)	50kg
Weight (Packed)	85kg

CR CLARKE

Unit 3, Foundry Road, Ammanford, Carmarthenshire, SA18 2LS
Tel: +44(0)1269 590530, Fax: +44 (0)1269 590540
WWW.CRCLARKE.COM